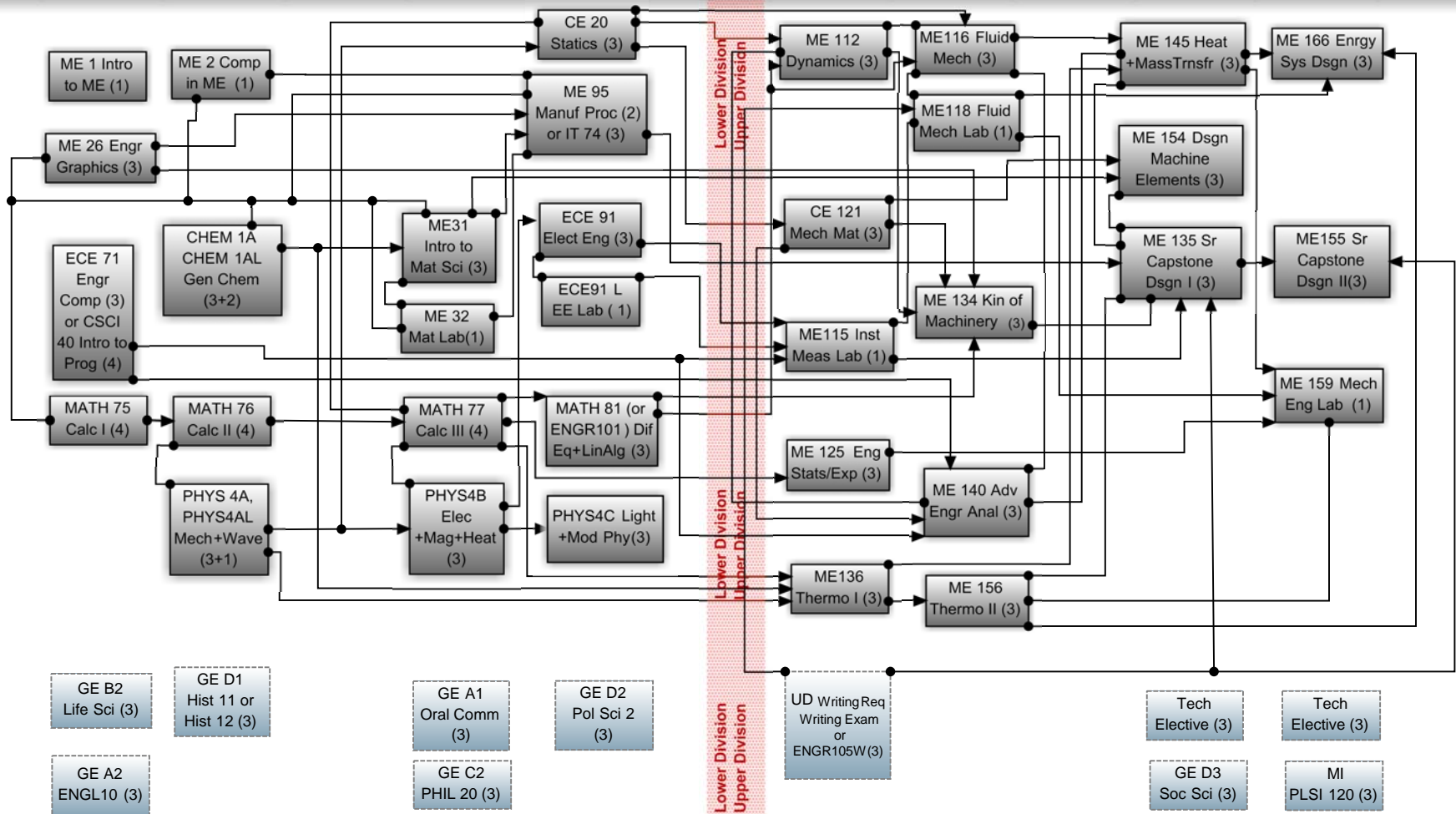


# California State University, Fresno

## Bachelor of Science, Mechanical Engineering

### Course Requirements Flowchart

YEAR	FIRST			SECOND			THIRD			FOURTH		
TERM	Fall	Spring	Summer	Fall	Spring	Summer	Fall	Spring	Summer	Fall	Spring	Summer
CLASS	FRESH 1	FRESH 2	OPTIONAL	SOPH 1	SOPH 2	OPTIONAL	JUNIOR 1	JUNIOR 2	OPTIONAL	SENIOR 1	SENIOR 2	OPTIONAL
CREDITS	17/18	17		17	18		13	13		15	13	



- GE=University General Education (Semester shown is suggested term in which to take GE and TE courses)
- UD Writing requirement must be fulfilled by either passing the writing exam or completing a 3-credit writing course (e.g. ENGR105W) not shown
- Tech Elective=TE=Mechanical Engineering or other Engineering upper division (100 or 200) courses
- Note: Some prerequisites and corequisites may not be indicated on the flowchart; consult catalog for additional information.

**TOTAL PROGRAM: 66 MAJOR CREDITS + 36 GE CREDITS +21 OTHER CREDITS=123 CREDITS TOTAL**

**Last revised: 07 January 2021**  
**Effective Fall 2020 for AY2020-21**