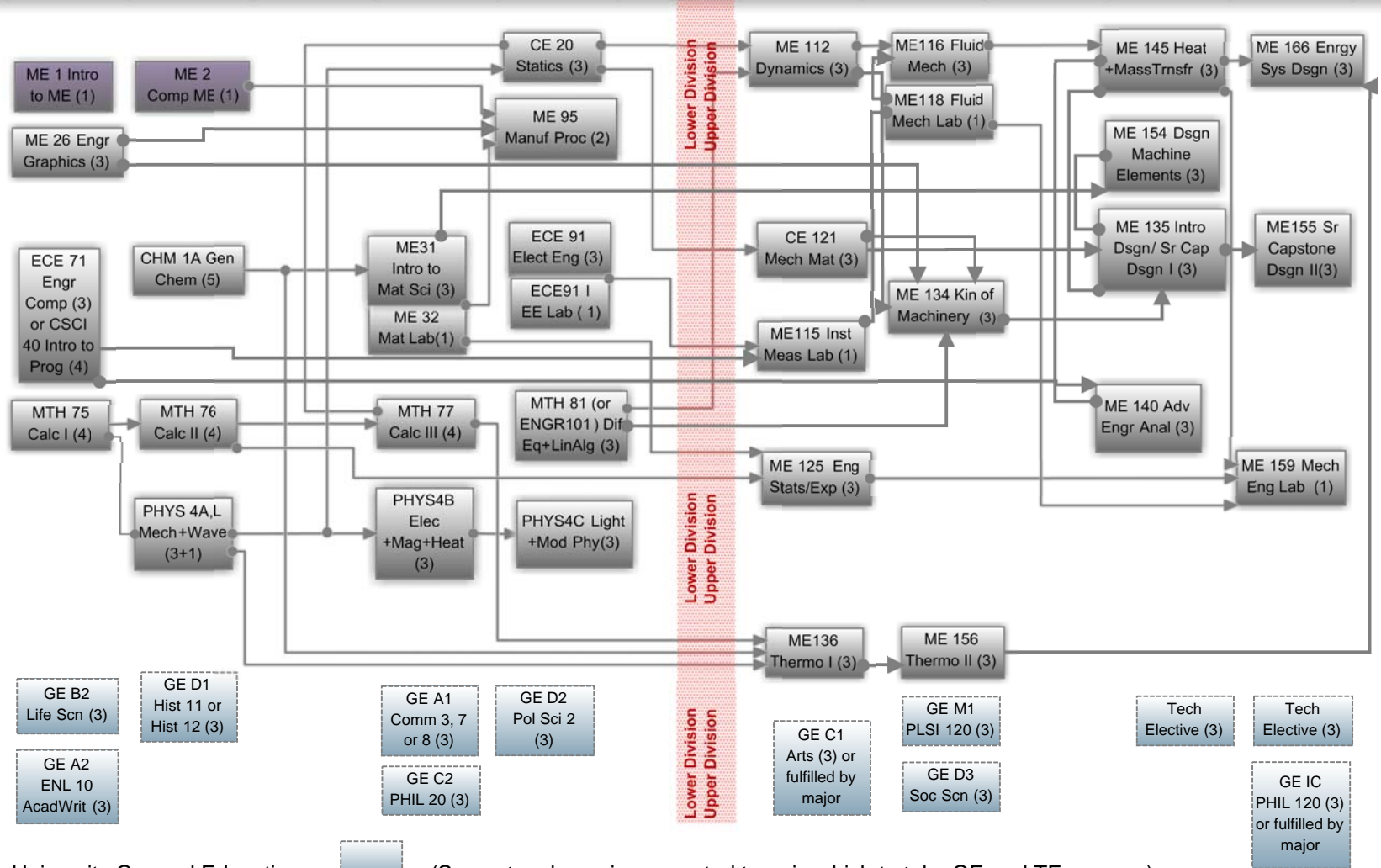


California State University, Fresno

Bachelor of Science, Mechanical Engineering

Course Requirements Flowchart

YEAR	FIRST			SECOND			THIRD			FOURTH		
TERM	Fall	Spring	Summer	Fall	Spring	Summer	Fall	Spring	Summer	Fall	Spring	Summer
CLASS	FRESH 1	FRESH 2	OPTIONAL	SOPH 1	SOPH 2	OPTIONAL	JUNIOR 1	JUNIOR 2	OPTIONAL	SENIOR 1	SENIOR 2	OPTIONAL
CREDITS	17	17		17	18		16	16		15	13	



- GE=University General Education (Semester shown is suggested term in which to take GE and TE courses)
- Writing requirement must be fulfilled by either passing the writing exam or completing a 3 credit writing course (e.g. ENGR/ME105W) not shown
- Tech Elective=TE=Mechanical Engineering or other Engineering upper division (100 or 200) courses
- Note: Some prerequisites and corequisites may not be indicated on the flowchart; consult catalog for additional information.

TOTAL PROGRAM: 63 MAJOR CREDITS + 42 or 36 GE CREDITS +21 OTHER CREDITS=1129 or 23 CREDITS TOTAL

Last revised 30 June 2015

Effective Term Fall 2015 for AY2015-2016