

General Education and Pre-Business
Course Mapping

To schedule an advising appointment, contact the
Craig School of Business
Undergraduate Student Services (USS)
at 559-278-4943, PB 185

Circle Academic Term				Year
Fall	Winter	Spring	Summer	_____
<u>Courses</u>				<u>Units</u>
_____				_____
_____				_____
_____				_____
_____				_____
_____				_____
_____				_____
_____				_____
Total Term Units				_____
Total Units Earned				_____

Circle Academic Term				Year
Fall	Winter	Spring	Summer	_____
<u>Courses</u>				<u>Units</u>
_____				_____
_____				_____
_____				_____
_____				_____
_____				_____
_____				_____
_____				_____
Total Term Units				_____
Total Units Earned				_____

Circle Academic Term				Year
Fall	Winter	Spring	Summer	_____
<u>Courses</u>				<u>Units</u>
_____				_____
_____				_____
_____				_____
_____				_____
_____				_____
_____				_____
_____				_____
Total Term Units				_____
Total Units Earned				_____

Circle Academic Term				Year
Fall	Winter	Spring	Summer	_____
<u>Courses</u>				<u>Units</u>
_____				_____
_____				_____
_____				_____
_____				_____
_____				_____
_____				_____
_____				_____
Total Term Units				_____
Total Units Earned				_____

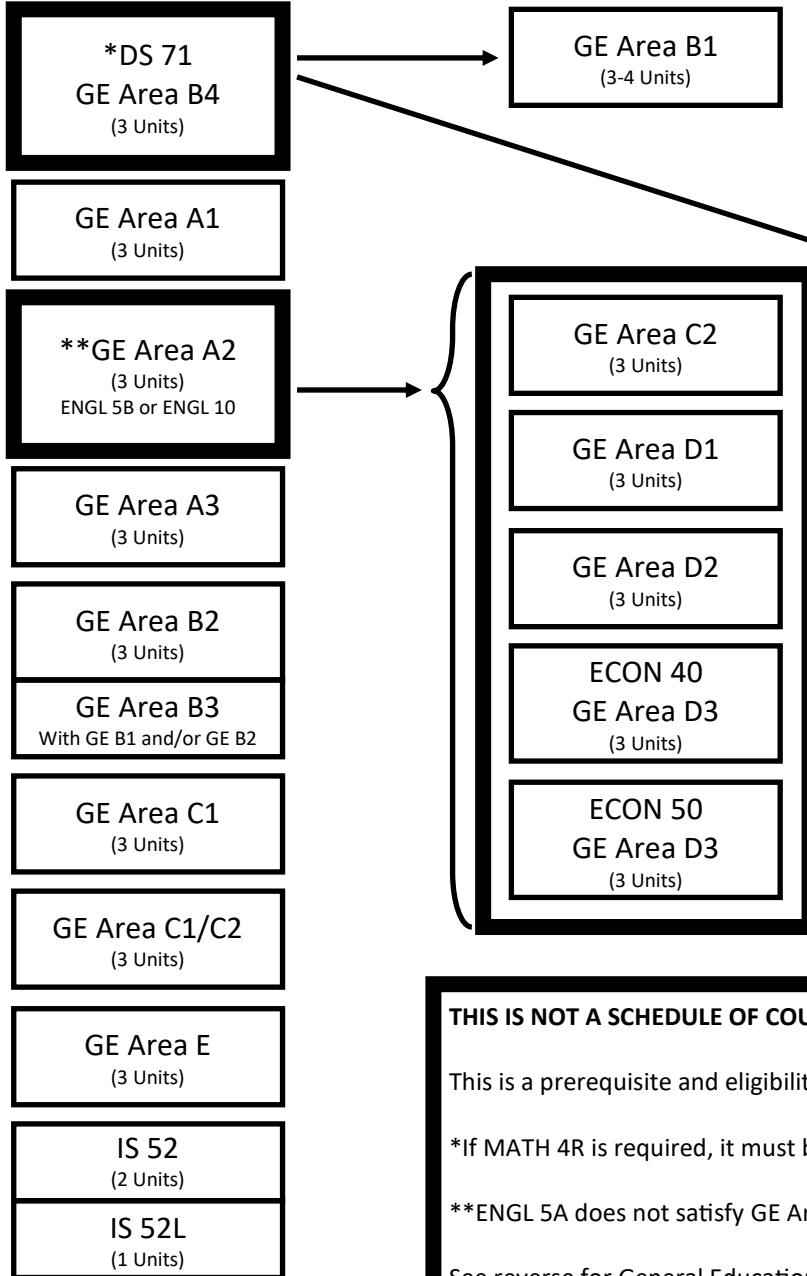
Circle Academic Term				Year
Fall	Winter	Spring	Summer	_____
<u>Courses</u>				<u>Units</u>
_____				_____
_____				_____
_____				_____
_____				_____
_____				_____
_____				_____
_____				_____
Total Term Units				_____
Total Units Earned				_____

Circle Academic Term				Year
Fall	Winter	Spring	Summer	_____
<u>Courses</u>				<u>Units</u>
_____				_____
_____				_____
_____				_____
_____				_____
_____				_____
_____				_____
_____				_____
Total Term Units				_____
Total Units Earned				_____

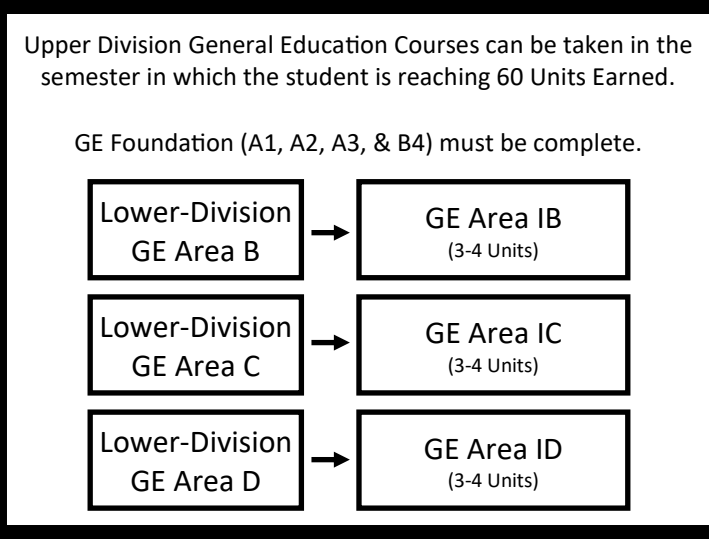
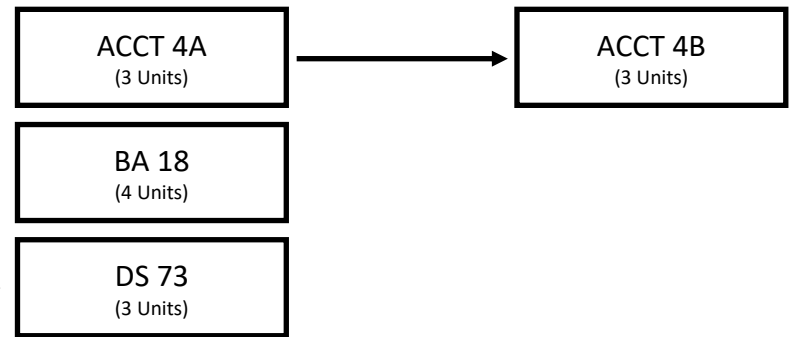
The Bachelor of Science Degree in Business Administration DOES NOT include any general elective units
 Four (4) year degree path - 15-16 units of General Education and/or Business requirements per semester (does not include Remediation)
 Five (5) year degree path - 12-13 units of General Education and/or Business requirements per semester (does not include Remediation)
 See reverse for Prerequisite Flowchart for General Education and Pre-Business Courses.

Date Created _____

Freshman Year Eligibility (0—29 Units Earned)



Sophomore Year Eligibility (30—59 Units Earned)



THIS IS NOT A SCHEDULE OF COURSES BY SEMESTER. THIS IS NOT A DEGREE ROADMAP.

This is a prerequisite and eligibility flowchart for General Education and Pre-Business Courses to help you plan your semesters.

*If MATH 4R is required, it must be completed with "CR" prior to enrollment in DS 71.

**ENGL 5A does not satisfy GE Area A2; only ENGL 5B or ENGL 10 will satisfy GE Area A2.

See reverse for General Education and Pre-Business Course Mapping sheet.